



## 2/2-Way-Electric-Valve

### Produktbeschreibung

Automatic valve in brass with floating precision ball. The valve is operated electrically and is characterised by long service life and high operational safety.

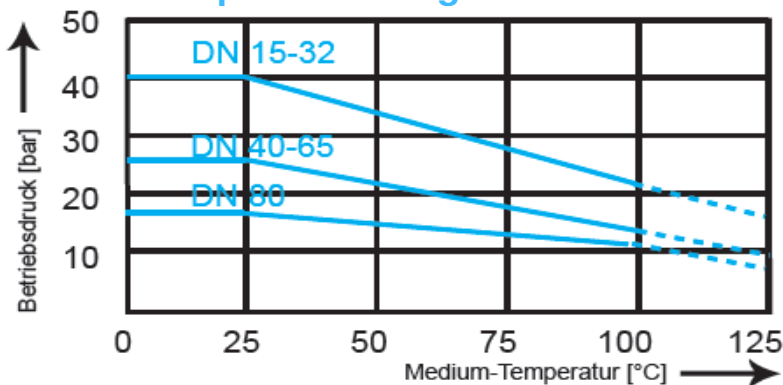
### Technical Data 2/2-Way Ball-valve

Nominal size	DN15 – DN80	
Connection	Female thread Rp 1/2" to Rp 2" acc. ISO 7-1	
Mounting position	random, but not upside-down	
Nominal pressure	DN 15 – 32: PN 40 DN 40 – 65: PN 25 DN 80: PN 16	
Operating pressure	see pressure-temperature-Diagram	
Temperature range	- 20 °C to 150 °C	
Materials	Housing:	hot-pressed brass, Ni-coated
	Ball:	brass, hard Chrome-plated
	Stem:	brass, Ni-coated
	Ball seal:	PTFE
	Stem seal:	PTFE+ FKM
Flow material	neutrale Gase und Flüssigkeiten (andere Medien auf Anfrage)	
Flow direction	random	

### Technical Data Actuator STV

Voltage	ER Premier 100-240V AC (100-350V DC) or 24V AC/DC ER Plus 100-240V AC (100-350V DC) or 15-30V AC (12-48V DC) VR, VS 100-240V AC (100-350V DC) or 15-30V AC (12-48V DC)
Protection class	ER Premier IP65, ER Plus IP66, VR and VS IP68
Ambient temperature	ER Premier, ER Plus -10 °C to +55 °C, VR, VS -20 °C to +70 °C
Duty rating	ER Premier 30%, ER Plus 50%, VR and VS 50%
Elektric connection	1 cable screw ISO M20, 1 cable box 3P + T DIN43650
Interface	EN ISO 5211

### Pressure-Temperature-Diagram



## Type EKOV



### Product merkmale

- Full bore
- Maintenance-free
- Optic and electronil limit switch enclosed with the delivery by standard
- Manual override inclusive
- Elektric torque limit
- Applicatons also in vacuum and high flow speeds
- alternatively also with pneumatic actuation, manual lever or gear-driven available

### Special versions

- Failsafe-type
- Positioner-type
- ATEX type

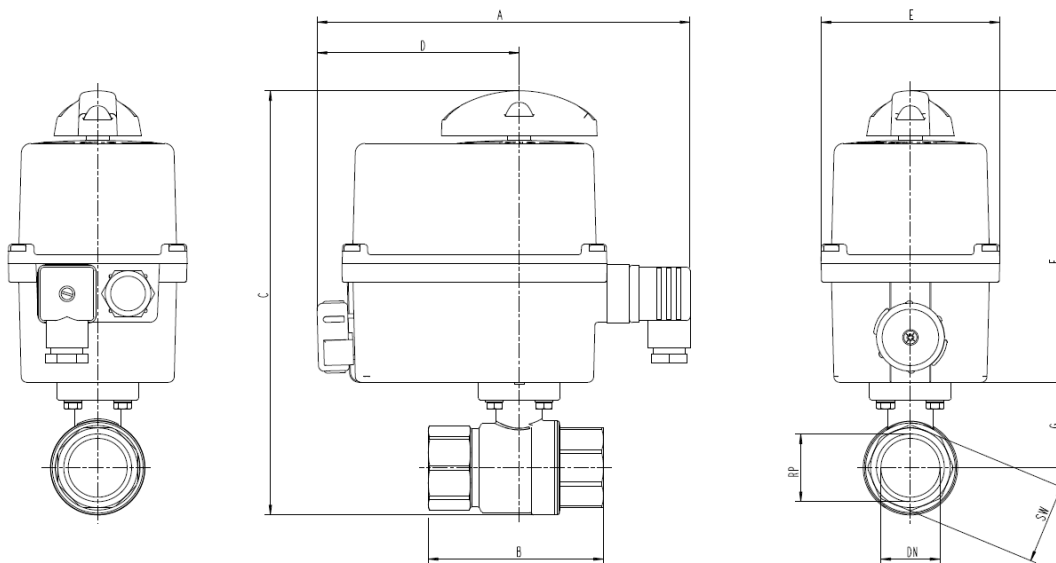
Please contact us for technical information.



## Table of dimensions

Dimensions Type EKOV											
Rp	DN	Actuator size	A	B	C	D	E	F	I	SW	Weight (kg)
1/2"	15	ER20	192	75	205	104	92	150	38	26	2,6
1/2"	15	VR25	225	75	256	123	170	201	38	26	5,3
3/4"	20	ER20	192	80	211	104	92	150	41	32	2,7
3/4"	20	VR25	225	80	262	123	170	201	41	32	5,4
1/0"	25	ER20	192	90	219	104	92	150	44	41	3,1
1/0"	25	VR25	225	90	270	123	170	201	44	41	5,8
5/4"	32	ER20	192	110	235	104	92	150	55	50	3,6
5/4"	32	VR25	225	110	286	123	170	201	55	50	6,3
3/2"	40	ER20	192	120	248	104	92	150	62	55	4,1
3/2"	40	VR25	225	120	299	123	170	201	62	55	6,8
2/0"	50	ER35	205	140	295	106	128	178	73	70	5,1
2/0"	50	VR25	225	140	318	123	170	201	73	70	7,8
5/2"	65	ER60	205	143	318	106	128	178	83	90	5,3
5/2"	65	VR45	225	143	341	123	170	201	83	90	8
3/0"	80	ER60	205	188	344	106	128	178	98	105	8,5
3/0"	80	VR45	225	188	367	123	170	201	98	105	11,2

## Dimensions



## Ordering Code

<b>EKOV</b>	-	<b>1/0</b>	-	<b>025</b>	-	<b>ER20-X0A-M00-90-240V AC/DC</b>
						Actuator identification (M00 = ER Premier, G00 = ER Plus)
				Nominal size		
				Connection size in inch		

Technical development and change in data reserved. © by bar GmbH 04 2015